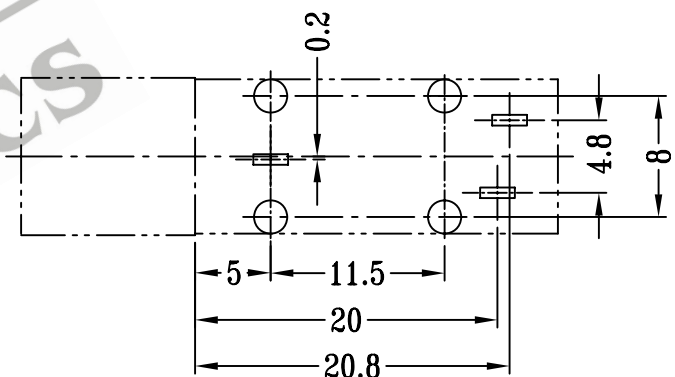
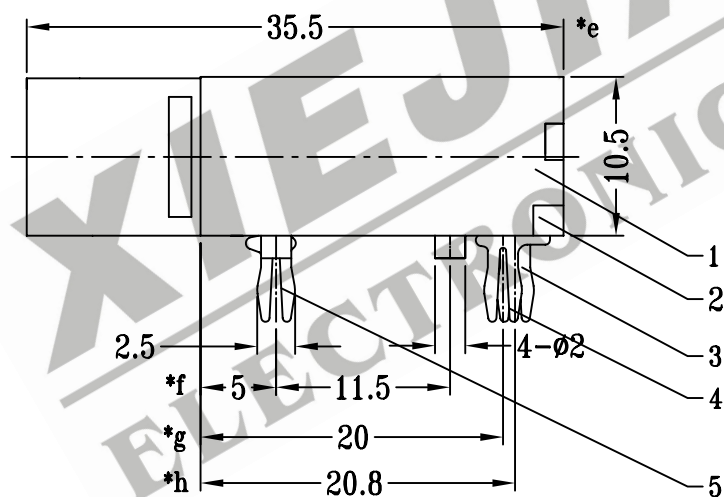
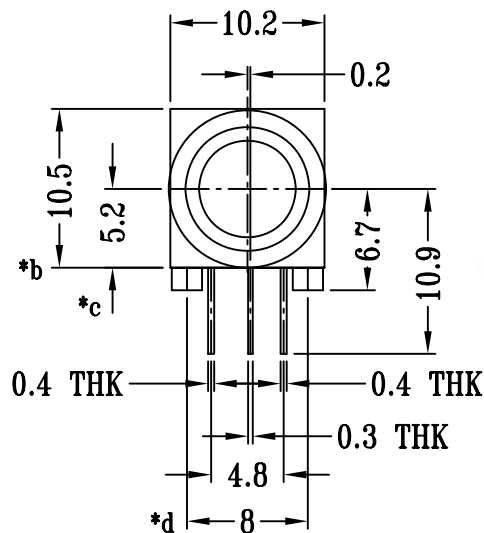
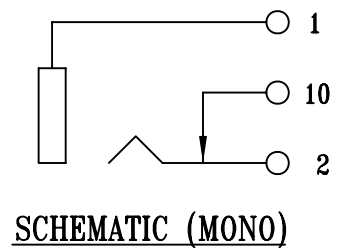
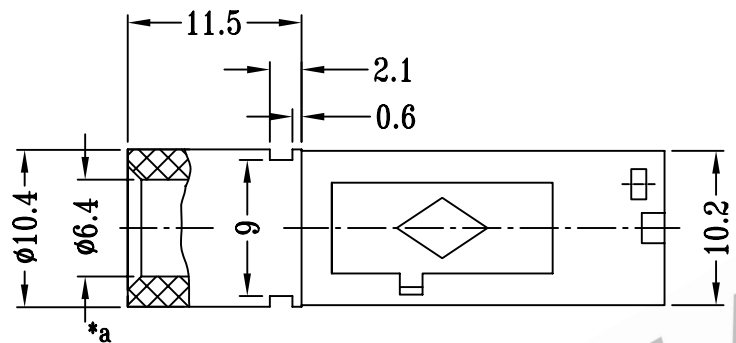


CAD FILE:



注:带"\*"表示关键尺寸(8个)

8					TOLERANCE	SHENZHEN XIEJIA ELECTRONICS CO.,LTD.					
7					UNLESS SPECIFIED						
6					WITHIN: 1.5 ±0.1mm						
5	SPRING TERMINAL A	PBS STRIP	1	Ag PLATED OVER Ni PLATED	OVER: 1.5 ±0.2mm	ISSUE	DATE	DESCRIPTIONS OF REVISION		APPD.	
4	SPRING TERMINAL C	PBS STRIP	1	Ag PLATED OVER Ni PLATED		TITLE : PHONE JACK		UNIT : mm	DRWG NO.: XJ-DR-MJ068-00		
3	TERMINAL B	BRASS STRIP	1	Ag PLATED OVER Ni PLATED		MODEL: MJ-068		SCALE: 2 : 1	DWN.	ZHOUYU	2005-8-4
2	COVER	PC	1	RED					CHK'D	FANGYING	2005-8-4
1	CASE	PC	1	BLACK					APPD.	KANGXINAN	2005-8-4
NO.	PARTS	MATERIALS	Q'TY	FINISH	ALL MATERIALS MUST BE COMPLIANT TO ROHS						